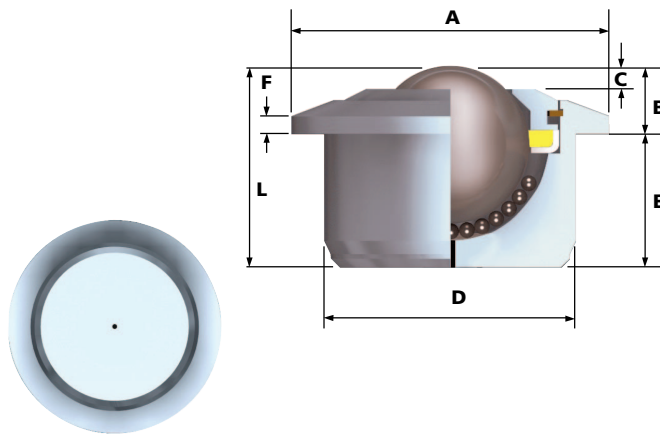


HEAVY-DUTY UNITS, SERIES 800

Shinitzky Artzi Ltd
Tel: +972-3-6881575
Fax: +972-3-6872797
www.always.co.il

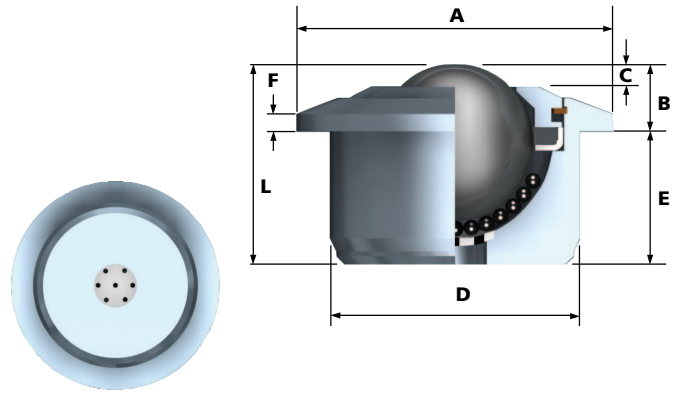
HEAVY DUTY 800

Features: High load capacity, low profile, robust construction.



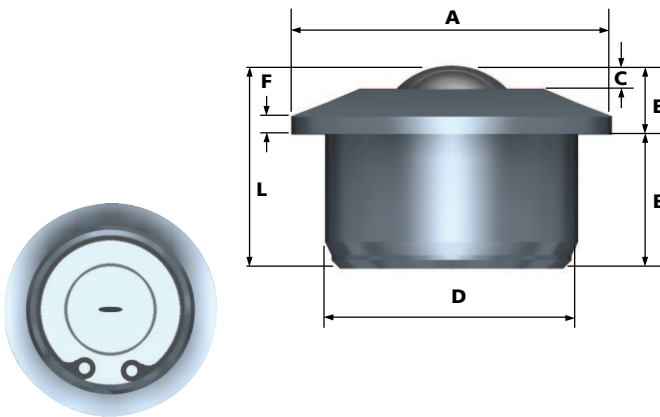
HEAVY DUTY 805

Features: High load capacity, low profile, robust construction. Multi-hole drain plug provides an extra 600% debris hole area to assist in cleaning.



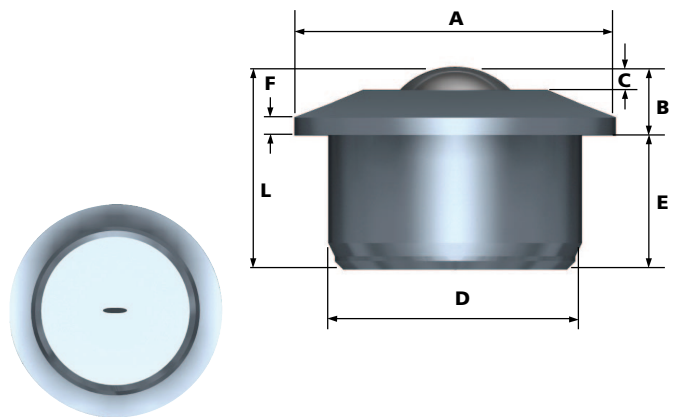
HEAVY DUTY 806

Features: High load capacity, low profile, can be disassembled. Slotted dirt exit hole allows large debris particles to pass through.



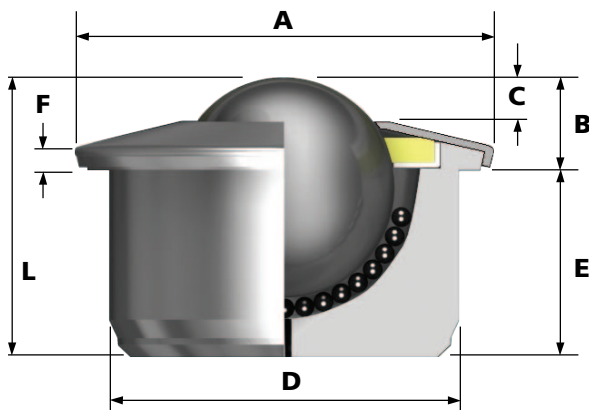
HEAVY DUTY 807

Features: High load capacity, low profile. Slotted dirt exit hole allows large debris particles to pass through.



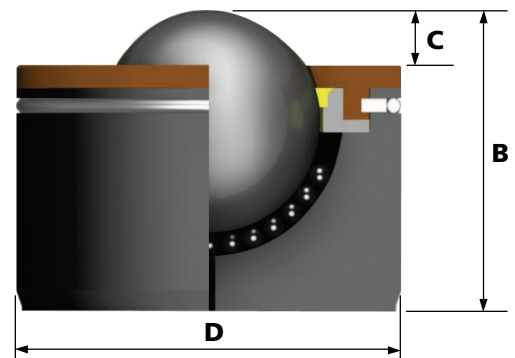
HEAVY DUTY 810

Features: High load capacity, low profile, coned outer ring.



HEAVY DUTY 820

Features: High load capacity, solid body and robust outer ring for greater durability. Can be dismantled for cleaning.



Always Series 800 are solid body steel ball units.

They incorporate a seal and dirt exit hole for maximum efficiency and smooth running.

Our CNC production plant can produce special designs to individual customers requirements.

Easy fixing clips are available, ref no. CL14, for quick and effective fixing, see pages 30 and 31. When used the working height of the ball unit dimension 'B' is increased by 0.3mm.

800 Series Type 15, Stainless Steel

In general ball unit sizes from Ø15.8mm to Ø44.5mm will have unhardened components typically 304 stainless steel.

Ball units with Ø57.1mm, Ø76.2mm and Ø88.9mm balls have hardened bodies.

805 Heavy Duty Ball Units

Similar to 800 series units, the 805 ball units incorporate a stainless steel multi-hole drain plug for improved cleaning and debris removal, stainless bearings for corrosion resistance, and no seal for easy cleaning and reduced friction.

The 800, 805, 806, 807 and 810 range of ball units are dimensionally compatible with our Euro Unit range of ball transfer units, see pages 16 and 17.

REF No.	BALL SIZE (mm)	WEIGHT (KGS)	DIMENSIONS (mm)							MAXIMUM DYNAMIC LOADING (kg)		
			A Maximum Diameter	B Working Height of Ball	C Ball Exposure above Outer Ring	D Body Diameter	E Distance Under Flange to Base	F Flange Thickness	L Overall Height	TYPE 13 Carbon Steel Bearings, Zinc Plated Pressings  LOAD UP*	TYPE 15 Stainless Steel Bearings and Pressings  LOAD UP*	TYPE 16 Stainless Steel Bearings, Zinc Plated Pressings  LOAD UP*
800-22	22.2	0.18	45	9.8 ±0.2	3.8	36 ±0.08	20.7	3.0	30.5	180	120	180
800-30	30	0.38	55	13.8 ±0.2	5.5	45 ±0.08	23	3.4	36.8	350	200	350
800-45	44.5	1.10	75	19	9	62 ±0.1	34.5	3.8	53.5	600	300	600
800-60	57.1	3.80	117	29.5	16.5	100 ±0.1	48	5.0	77.5	1500	1000	1000
805-30	30	0.38	55	13.8 ±0.2	5.5	45 ±0.08	23	3.4	36.8	350	200	350
805-45	44.5	1.10	75	19	9	62 ±0.1	34.5	3.8	53.5	600	300	600
806-30	30	0.35	55	13.8 ±0.2	5.5	45 ±0.08	23	3.4	36.8	350	200	350
807-30	30	0.36	55	13.8 ±0.2	5.5	45 ±0.08	23	3.4	36.8	350	200	350
810-15	15.8	0.06	31	9.5 ±0.2	4	24 ±0.06	11.5	3.8	21	56	43	56
810-22	22.2	0.20	45	9.8 ±0.2	3.5	36 ±0.08	20.7	4.0	30.5	180	120	180
810-30	30	0.37	55	13.8 ±0.2	5.5	45 ±0.08	23	5.0	36.8	350	200	350
810-45	44.5	0.99	75	19	9	62 ±0.1	34.5	4.5	53.5	600	300	600
820-60	57.1	3.5	-	77.5	16.5	100 ±0.1	-	-	-	1500	-	1000
820-76	76.2	8.6	-	103	23	130 ±0.1	-	-	-	3000	-	2500
820-90	88.9	11.0	-	115	25	145 ±0.1	-	-	-	4000	-	3500

To order, specify REF N° and TYPE, i.e. 800-22-13.

General Tolerance unless stated ±0.3mm

*Please consult us when mounting in inverted position as a castor, load down.

